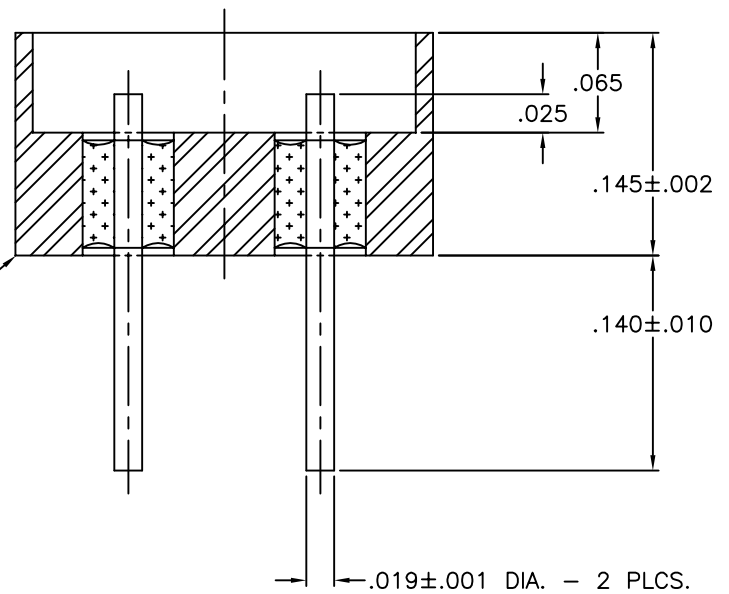
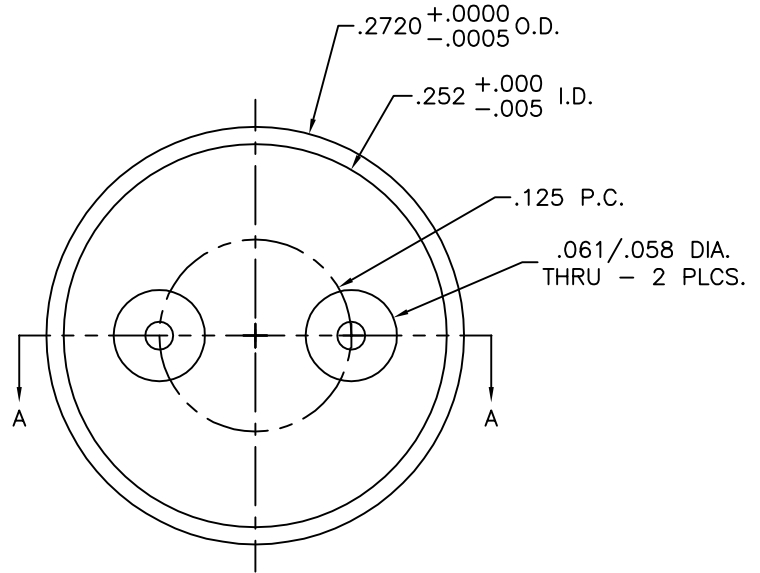



REV	DESCRIPTION OF REVISION	E.C.N.	BY	APPROVED	DATE
-----	-------------------------	--------	----	----------	------



MATERIAL:
 EYELET - 304L SST.
 GLASS - 9013 OR EQUAL.
 LEADS - ASTM F-30, 52 ALLOY.

- PLATING:
- LEADS ONLY: 200 MICROINCHES MIN. OF ELECTROLYTIC NICKEL PER QQ-N-290A, CLASS 1, GRADE G.
 - LEADS ONLY: 50 MICROINCHES MIN. OF ELECTROLYTIC GOLD PER MIL-G-45204B, TYPE 3, GRADE A, CLASS 1.

SECTION A-A

DRAWN BY: E.T.W. 11-09-09	MATERIAL: SEE ABOVE			TOLERANCING PER ANSI Y14.5 .X ± .002 .XXX ± .002 .XX ± .002 ANG ± 5° UNLESS OTHERWISE SPECIFIED		 6700 W. 47th TERR. MISSION, KS. 66203 TEL: 913-432-2487 FAX: 913-432-0570
	CHECKED BY: A.B. 11-17-09	APP. SPECS	SUPERSEDES	NEXT ASSY	SCALE: 8:1	
APPROVED BY: D.B. 11-13-09	TITLE: HEADER ASSY, HERMETIC GLASS TO METAL				PART NUMBER: EA00099	
				FILE: EA00099	PAGE 1 of 1	